

KeyCurb Roller

KR4

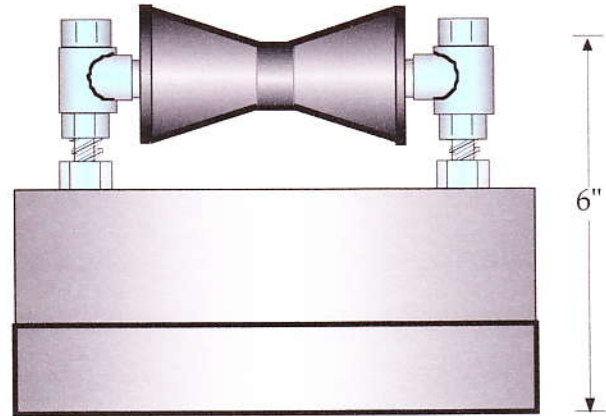
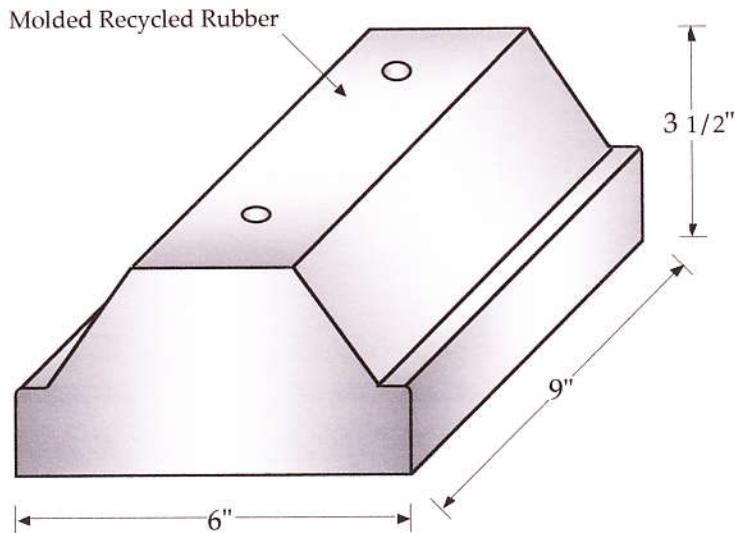
Description:

Curb: Molded recycled rubber 3 1/2" high 6" wide 9" long.
Designed to support pipe diameters from 1/2" to 4" with a maximum pipe load not to exceed 150 lbs. per ten foot spacing.

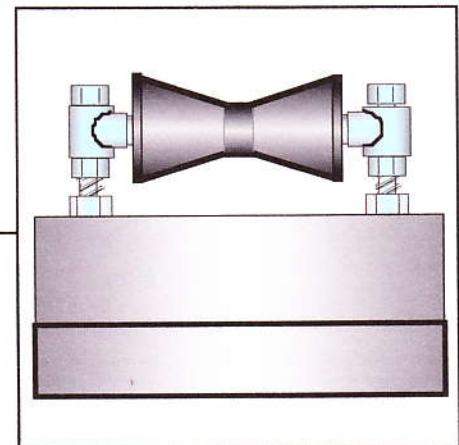
Installation:

Support system can be customized to fit almost any complex installation.
Supports shall be located as specified or required herein as per drawings.
Spacing shall be as indicated on drawings, but not to exceed 10' centers.
Curbs do not need support pads. Consult with roofing manufacturer's requirements.

Install required piping roller system.
Check each support for equal weight disbursement.



KeyCurb Roller (KR4)



Pipe
RTA
Supports

KeyCurb Pipe Supports