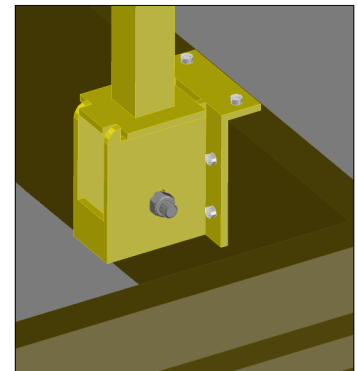
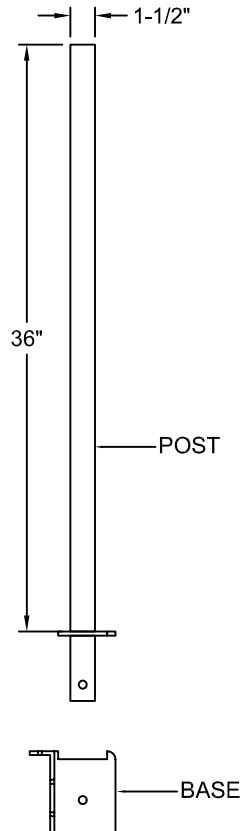
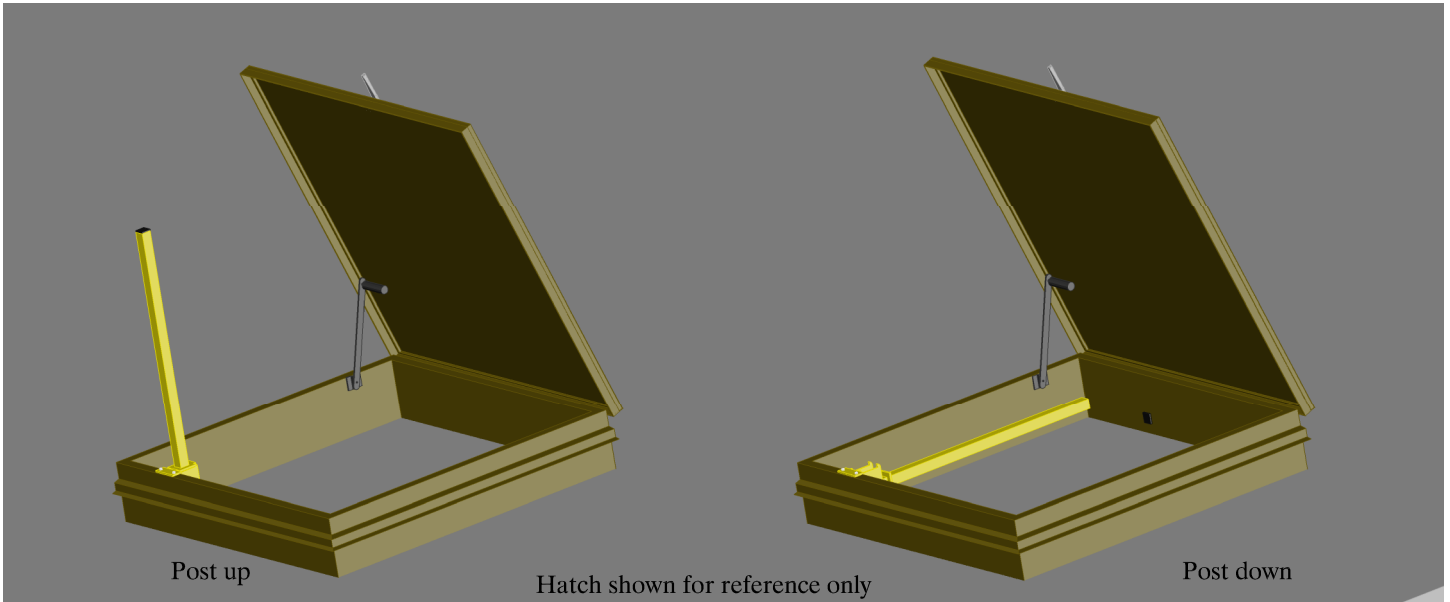




# E-Z Up Safety Post

P.O. Box 1671 Tomball, Tx. 77377  
Voice: 866-536-5506  
www.rooftopaccessories.com



Interior Assembly View

E-Z Up Safety Post

### Typical Installation:

Mount unit to hatch frame using self tapping screws as provided. line up bracket with post down, screw in place making sure that the post does not interfere with any of the hatch parts. Screw in bracket from the top holes first then the bottom two holes, then complete.