

KeyCurb Bridge

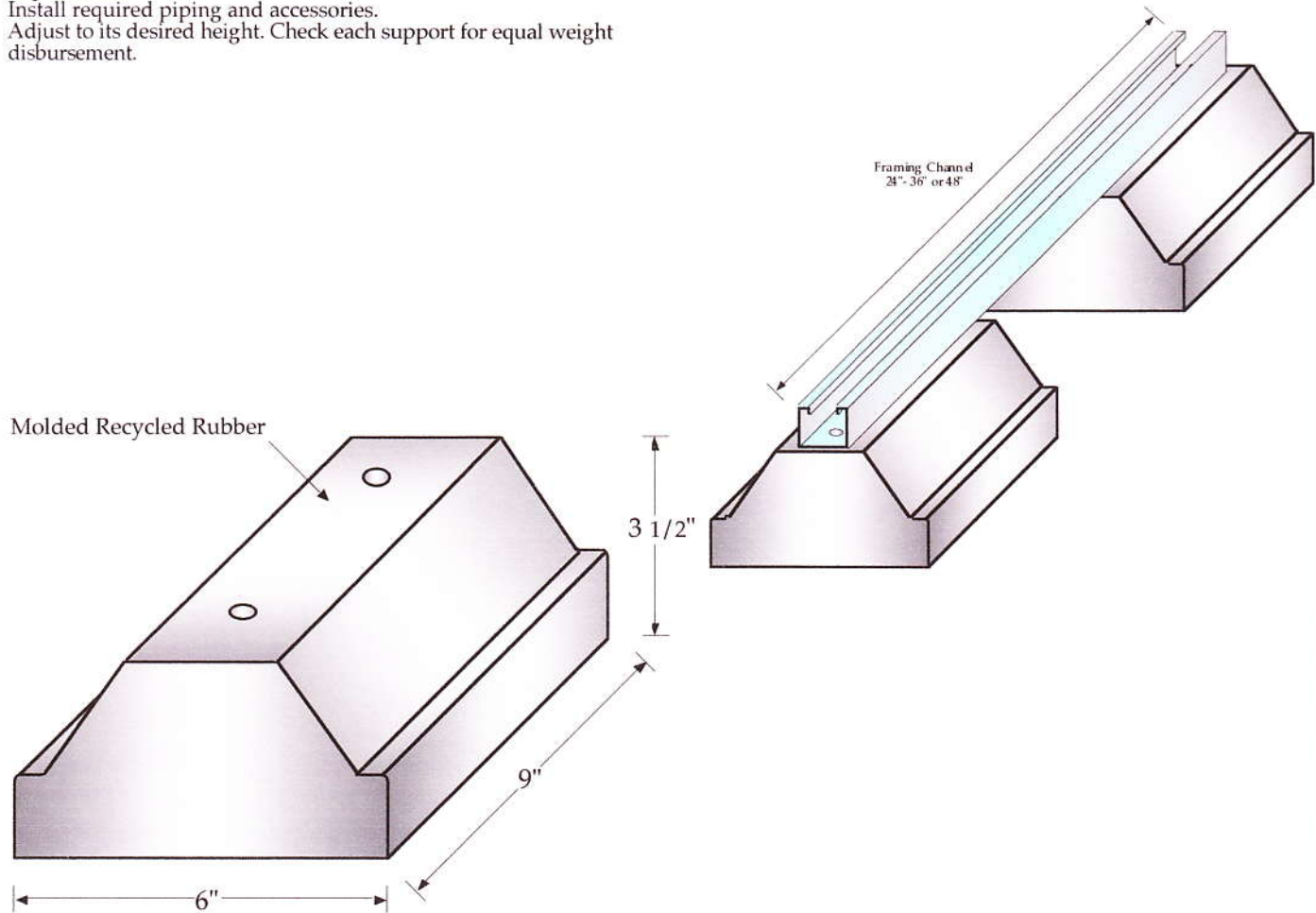
KCB24

Description:

Curb: Molded recycled rubber 3 1/2" high 6" wide 9" long.
Frame Channel: 1 5/8" x 1 5/8" pre-galvanized channel 24" - 36" or 48"
bolted to curb.
Designed to support several pipe runs, support rooftop equipment, and is
the base for Adjustable Support Bridge.

Installation:

Support system can be customized to fit almost any complex installation.
Supports shall be located as specified or required herein as per drawings.
Spacing shall be as indicated on drawings, but not to exceed 10' centers.
Curbs do not need support pads. Consult with roofing manufacturer's
requirements.
Install required piping and accessories.
Adjust to its desired height. Check each support for equal weight
disbursement.



Pipe
RTA
Supports

KeyCurb Pipe Supports

P.O. Box 1671 Tomball, Texas 77377 toll free 866.536.5506 fax 281.516.9002 www.keycurb.com