

KeyCurb Roller Adjustable

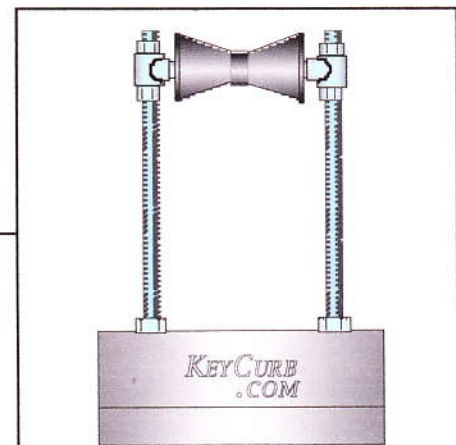
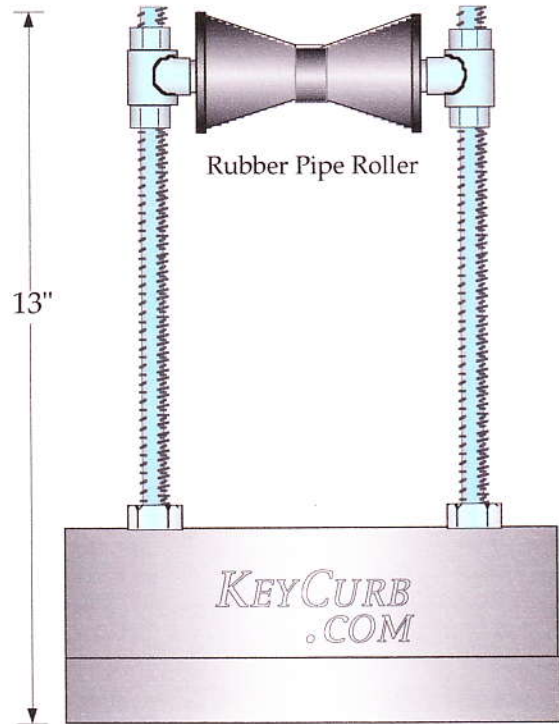
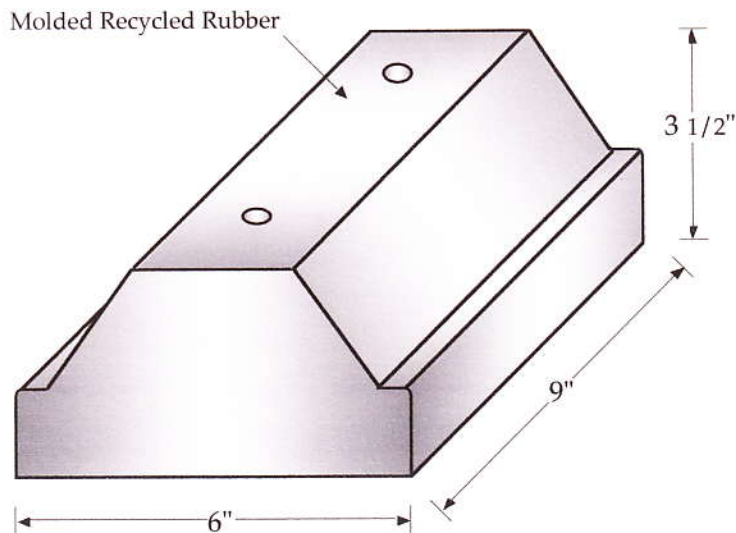
KRA4

Description:

Curb: Molded recycled rubber 3 1/2" high 6" wide 9" long.
Designed to support pipe diameters from 1/2" to 4" with a maximum pipe load not to exceed 165 lbs. per ten foot spacing.
Roller can be adjusted up to 12" above roof.

Installation:

Support system can be customized to fit almost any complex installation.
Supports shall be located as specified or required herein as per drawings.
Spacing shall be as indicated on drawings, but not to exceed 10' centers.
Curbs do not need support pads. Consult with roofing manufacturer's requirements.
Install required piping roller system.
Check each support for equal weight disbursement.



Pipe
RTA
Supports

KeyCurb Pipe Supports

P.O. Box 1671 Tomball, Texas 77377 toll free 866.536.5506 fax 281.516.9002 www.keycurb.com