

KeyCurb

KC9

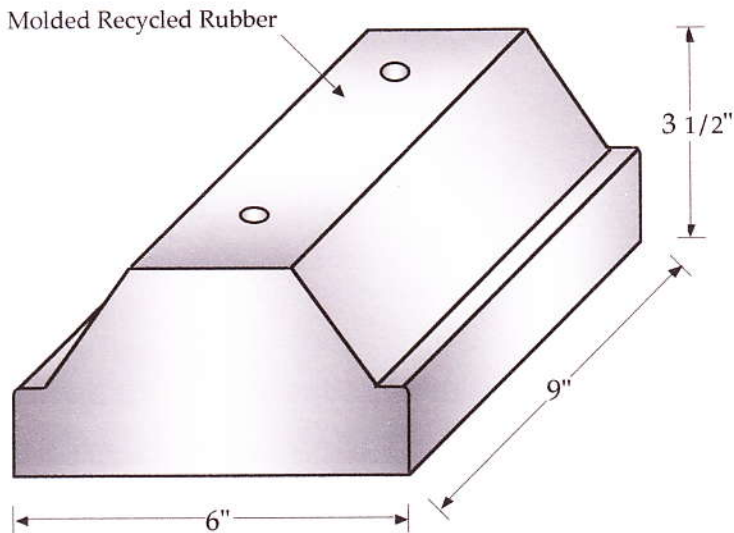
Description:

Curb : Molded recycled rubber 3 1/2" high 6" wide 9" long.
Curb can be used in the place of wood blocking, no pad under curb is needed.
Pipe /Conduit Clamps: Fastened to curb with 1 1/4" sheet metal screws.
Curb can be used under rooftop equipment as a isolater.

Installation:

Support system can be customized to fit almost any complex installation.
Supports shall be located as specified or required herein as per drawings.
Spacing shall be as indicated on drawings, but not to exceed 10' centers.
Curbs do not need support pads. Consult with roofing manufacturer's requirements.
Install piping system with conduit clamps or straps as required.
Check each support for equal weight disbursement.

Pipe Clamps or Straps as Required



Pipe
RTA
Supports

KeyCurb Pipe Supports

KeyCurb Strut

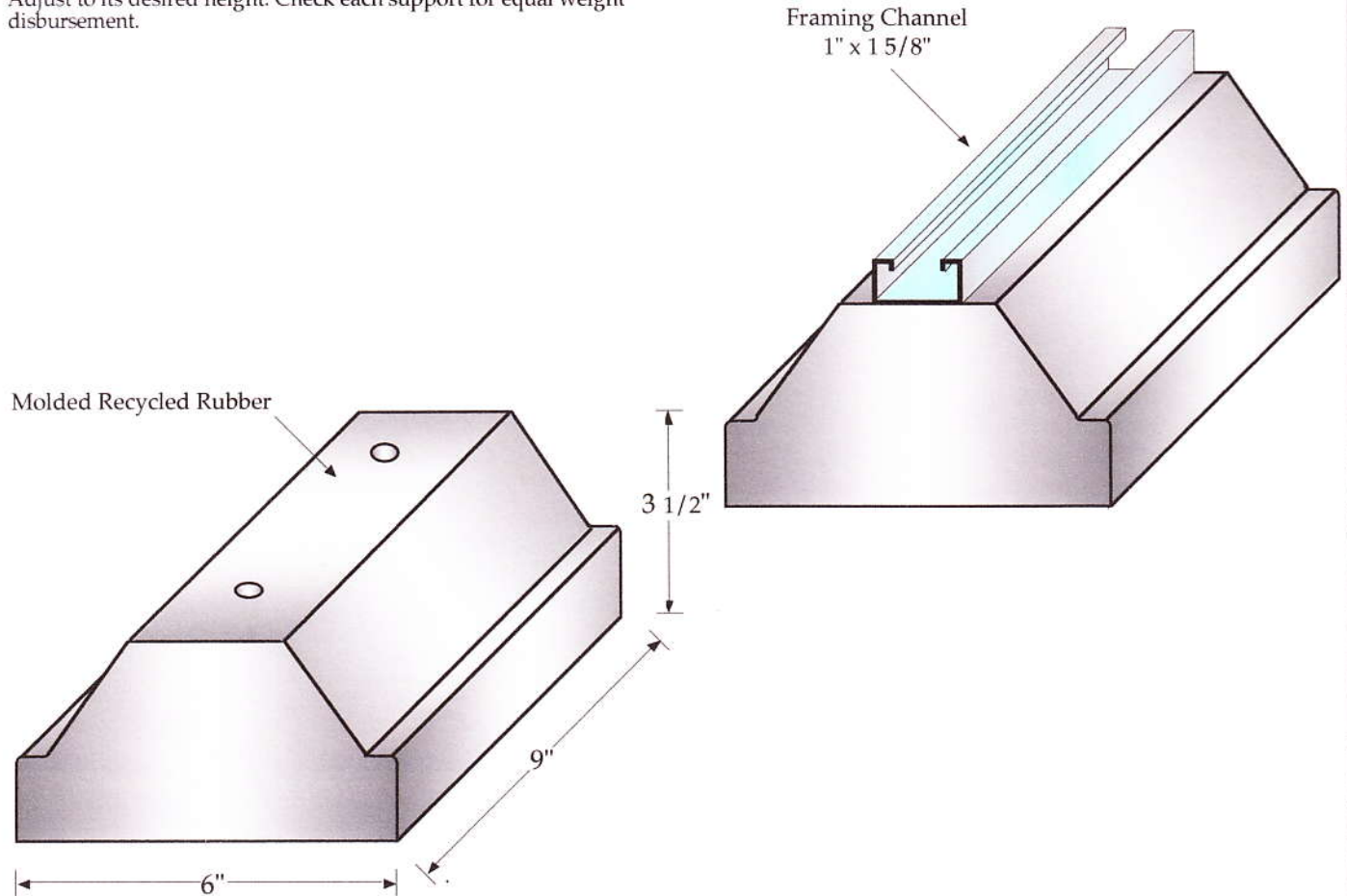
KS8

Description:

Curb: Molded recycled rubber 3 1/2" high 6" wide 9" long.
Frame Channel: 1" x 1 5/8" pre-galvanized channel 8" - 12" or 16" long.
Designed to support pipe diameters up to 8".
Pipe/Conduit Clamps: are used to hold piping to channel.

Installation:

Support system can be customized to fit almost any complex installation.
Supports shall be located as specified or required herein as per drawings.
Spacing shall be as indicated on drawings, but not to exceed 10' centers.
Curbs do not need support pads. Consult with roofing manufacturer's requirements.
Install piping system with conduit clamps as required.
Adjust to its desired height. Check each support for equal weight disbursement.



Pipe
RTA
Supports

KeyCurb Pipe Supports