

KeyCurb Strut Hanger

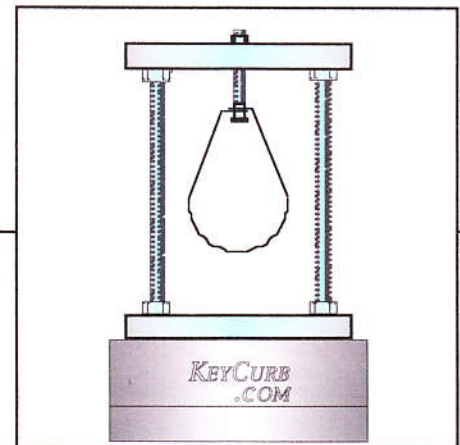
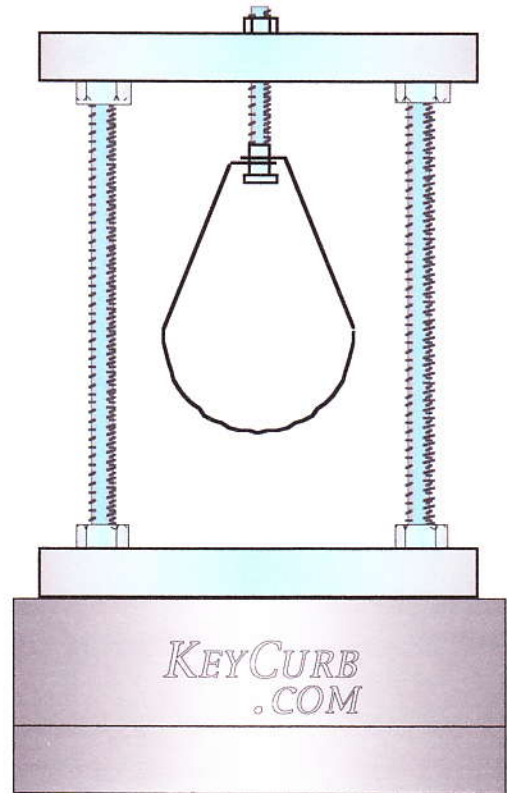
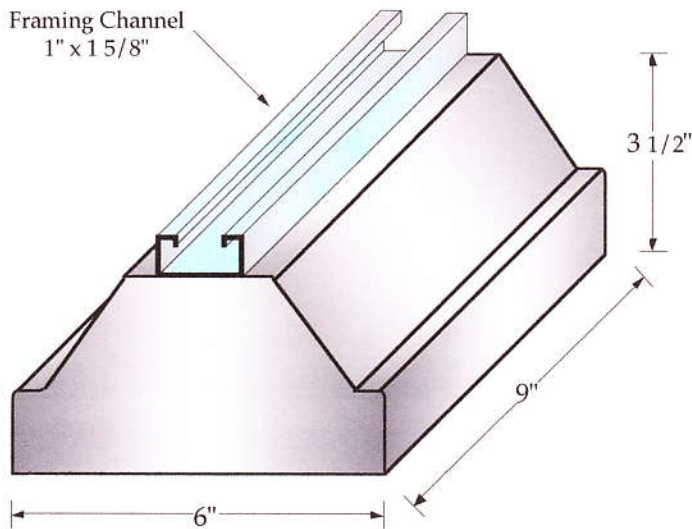
KSH4

Description:

Curb: Molded recycled rubber 3 1/2" high 6" wide 9" long.
Frame Accessories: Hot Dipped 14 gage Pre-Galvanized Channel.
Pipe Height: Adjustable threaded rod, from 4" to height required.
Hanger: Swivel hanger for pipe sizes from 1/2" to 4".

Installation:

Support system can be customized to fit almost any complex installation.
Supports shall be located as specified or required herein as per drawings.
Spacing shall be as indicated on drawings, but not to exceed 10' centers.
Consult with roofing manufacturer's requirements.
Install required pipe hanger system.
Adjust to its desired height. Check each support for equal weight disbursement.



Pipe
RTA
Supports

KeyCurb Pipe Supports